

Mold Type Conductive Polymer Aluminum Solid Capacitors

PMA series

105°C5,000h, Super Low ESR

New!

PMAseries

- Endurance: 105°C5,000h
- Voltage: 6.3V~25V
- Capacitance: 22~220μF
- Damp Heat(Steady State): 60°C95%RH/500h



Feature

- Super low ESR, high ripple current capability.
- Be superior to noise absorbency and suitable usage for digitization, a high frequency of the electronic equipment.
- By employing the molding resin realize miniaturization and high capacity.

Recommended Application

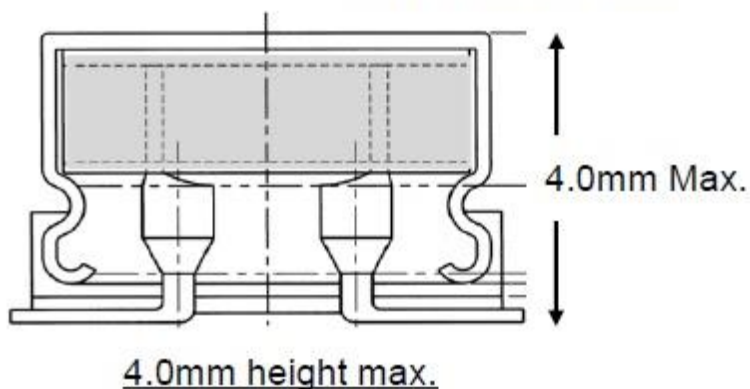
- Digital equipment that is required a low profile, DC-DC converter, etc.
- The substitute of the tantalum capacitors.

PMA ^{New!} series

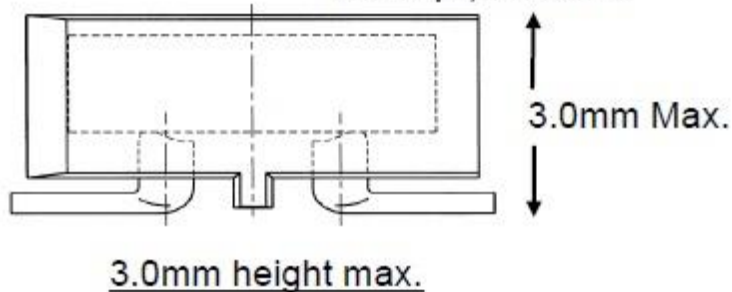
Adoption of a resin mold to the sealing structure.

Downsized and Higher capacitance than conventional aluminum can type products.

Conventional PX series

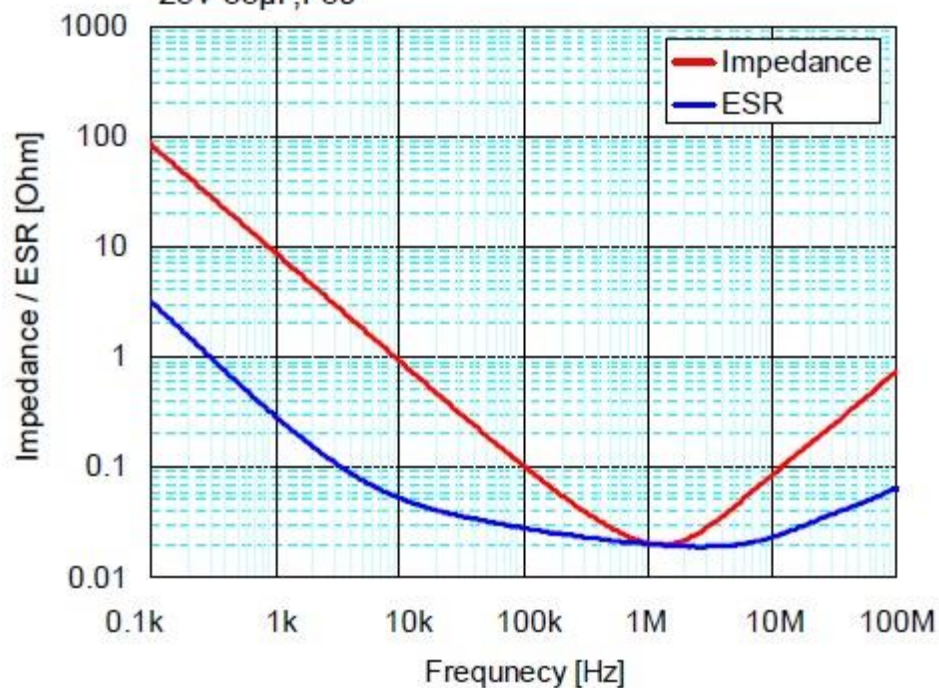


New PMA series
25V-33 μ F, ESR50m Ω



• Frequency characteristic

PMA series
25V-33 μ F, F30



PMA ^{New!} series

Standard ratings

WV (Vdc)	Cap (μ F)	ESR (m Ω /20 $^{\circ}$ C, 100kHz)	Rated ripple current (mA _{rms} / 100kHz)	
			-55 $^{\circ}$ C \leq Ambient Temp. \leq +85 $^{\circ}$ C	+85 $^{\circ}$ C < Ambient Temp. \leq +105 $^{\circ}$ C
6.3	220	35	2,900	2,300
16	56	40	2,700	2,200
20	39	45	2,500	2,100
25	22	50	2,400	2,000
25	33	50	2,400	2,000